

TANA[®]

BALL VALVE

Sizes: 1/2" - 2"

class: 150 - 2500



TANA[®]
WENZHOU TOPNOTCH MACHINE CO.,LTD.

WENZHOU TOPNOTCH MACHINE CO.,LTD.

Add:Heyi Industrial Zone, Oubei Town,Yongjia,Wenzhou,Zhejiang,China 325105

Tel:+86-577-67318591

Fax:+86-577-67328591

Mobile:+86-18906638592

E-mail:market@tanamachine.com

Website:www.tanamachine.com

WWW.TANAMACHINE.COM

TANA[®]
WENZHOU TOPNOTCH MACHINE CO.,LTD.



TANA[®]
WENZHOU TOPNOTCH MACHINE CO.,LTD.



Brief Introduction

Wenzhou Topnotch Machine Co.,Ltd., brand name TANA .established in the year 2003, located at China famous pump&valve TownOubei,Wenzhou. We'respecialized inproducing and marketing all kinds of industrial valves,pump & actuators. Our corporate Vision is to be a pipeline control specialist by supply products and help our valued customersolve their problems with excellent sales & after-sales service, and also reasonable price.

Over the years, we already have expanded our operations with team of well experienced design,manufacturing and marketing engineers. We have 100 -150 employees,around 50 sets advantaged producing equipments,which ensure our production ability. Our products have been widely application in the gas, oil, refining, chemical, marine, power generation and pipeline transmission industries. And 80% of products are supplied to SoutheastAsia, the Middle East, North America, Europe and Africa, more than 30 oversea countries / we have accumulated good reputation from our clients.

Quality is at the heart of everything we do, through product development to manufacturing, supply and sale. We make products strictly according to International standards & clients' requirements, and have established quality control system to ensure us offer the high quality products.

"Keep the promise and offer the top-class products &service" is our principle, we believe that we can establish and maintain long term win-win cooperation through our mutual effort by reasonable price, good quality product and best service.

Welcome to contact us, thank you!





TANA[®]
WENZHOU TOPNOTCH MACHINE CO.,LTD.

目录 Contents

- 01-02 球阀的主要结构、功能和特点
Ball valve design feature
- 03 二片式锻钢球阀
2 Pcs forged steel ball valves
- 04-05 三片式锻钢球阀
3 Pcs forged steel ball valves
- 06 加长100mm接管三片式锻钢球阀
With 100mm pipe ends 3 pcs forged steel ball valves
- 07 三片式金属硬密封锻钢球阀
3 pcs metal to metal ball valves
- 08 三通L型锻钢球阀
3-way forged steel ball valves
- 09 对夹式锻钢球阀
Forged steel wafer type boll valve
- 10 二片式法兰连接浮动球阀
2 Pcs flange-floating ball valves
- 11 三片式法兰连接浮动球阀
3 Pcs flange-floating ball valves
- 12 德标法兰连接浮动球阀
Din flange-floating ball valves
- 13 双截止双排放针阀
Double-ended double-discharge valve
- 14 末端连接标准
Connection-end standards

球阀被广泛的应用在石油炼制、化工、造纸、制药、食品、水力、市政、钢铁等行业。其中抗硫系列球阀特别适用于含硫化氢介质、杂质多、腐蚀严重的天然气长输管线。

Ball valves are widely used in petroleum refining, chemical, paper making, pharmacy, food, water power, municipal, steel and other industries. Among them, sulfur-resistant series ball valves are particularly suitable for long-distance pipeline for transmission of high-corrosion natural gas with sulphureted hydrogen medium and many impurities.

球阀的全口径及缩径结构
FULL & REDUCE BORE

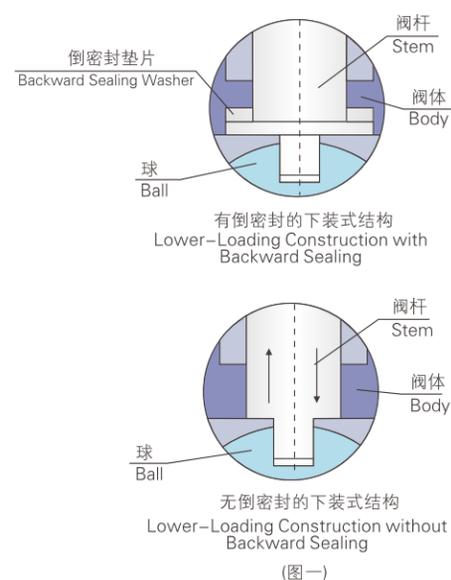
为满足客户的不同需求，球阀设有全通及缩径两大系列。全口径球阀的通道内径与管线内径一致，不但流体阻力最小，也便于管道清理。而缩径球阀的流体阻力比相同口径截止阀的流体阻力要低很多，重量比相同口径的球阀要轻30%左右，有效的降低了生产成本及价格，因而得到了较为广泛的使用。

In order to meet different needs of customers, we provide two series of ball valves, full bore and reduced bore ball valves. The channel inner diameter of full bore ball valves is consistent with the inner diameter of pipeline, which can not only minimize the fluid resistance but also facilitate pipeline cleaning. The fluid resistance of necked bore ball valves is much less than that of the globe valve with the same caliber while its weight is 30% lighter than ball valves with the same caliber. As a result, it can effectively reduce both the production cost and price, and is relatively widely used.

阀杆防冲出及有效密封结构
BLOW - OUT PROOF STEM

阀杆采用下装式、设置带有密封垫片的倒密封结构，倒密封的密封力随阀腔介质压力的增高而增大，从而确保阀杆的密封效果。当阀腔异常升压时，阀杆不会被冲出。填料采用设计合理的V型结构、能将阀腔内部的介质压力及外部压盖的锁紧力有效的转化成阀杆的密封力(如图一)。

The stem is downloading, with its inverted sealing structure with sealing gasket. The force of inverted sealing structure will increase while the medium pressure in the valve cavity increases, to ensure the sealing effect of the stem. In case of abnormal pressure increasing of the valve cavity, the stem won't be impacted out. The filler is designed with proper V-shaped structure, which can effectively convert the medium pressure inside the valve cavity and the locking force of outer gland into the sealing force of stem (Figure 1).

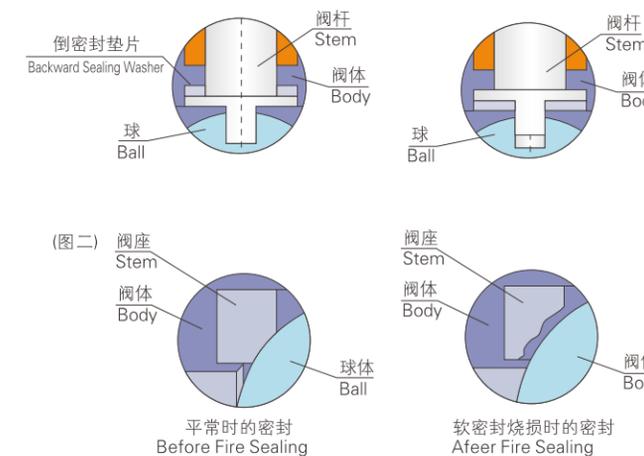


(图一)

耐火结构
FIRE SAFE SEAT SEALING

根据用户的需要，球阀可设计成耐火结构，当万一发生火灾而使密封圈烧损时，球阀的各个密封部位均能形成金属对金属的硬密封结构，有效阻止介质的扩散，防止火灾扩大(如图二)。

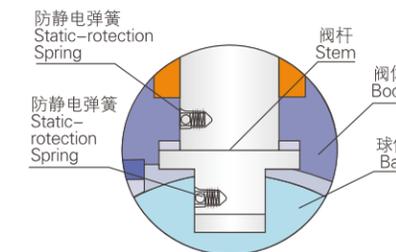
According to the user's requirement, the ball valve can be designed with fire-resistant structure. In case of a fire and the sealing ring is damaged, every sealing part of the ball valve can form the structure of metal-to-metal hard seal, which can prevent the spreading of both the media and fire (Figure 2).



防静电结构
STATIC-PROTECTING CONSTRUCTION

根据用户需要，球阀可设计防静电结构，即在球体与阀杆、阀杆与阀体之间设置导电弹簧，使阀门在开启过程中产生的静电能通过所设置的静电通道传入管路导入地下，达到清除静电的目的。避免静电打火点燃易燃介质，确保系统安全。(如图九)

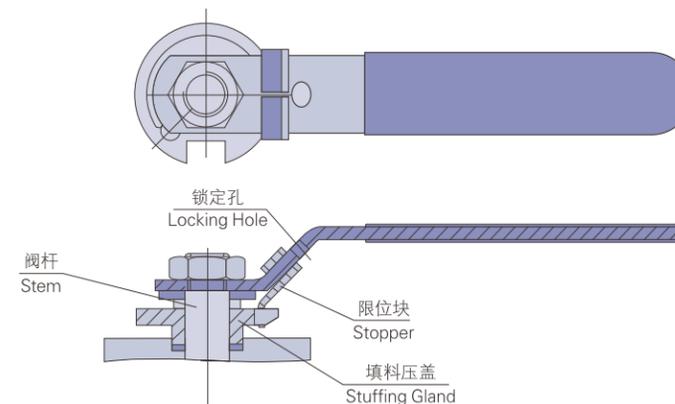
The ball valve could be designed as static-protecting construction as required, namely, mounting conductivespring between the globe body and stem, or between the stem and body. There after the static engendered during opening the valve could be conducted to pipelines then earth through the pre-set static passage to clear static away. The design works to prevent igniting combustible medium by static fire-striking for the system safety.(As shown in Figure 9)



带锁结构
INTERLOCKING DEVICE

对安装在野外的或防止非工作人员误操作的，以及在有些震动较大的场合手柄受到撞击易产生误操作的阀门，在阀门的全开或全关的位置设有锁定孔，需要时可加锁，起到安全保险作用(十二、十三)。

For valves installed outdoors,those preventing improper operation of non-workers and valves,of which collision of its stem in relatively violent vibration occasions easily causes improper operation, a locking bore can be set in the fully open position or fully closed position and a lock can be used if needed,for the purpose of security insurance (Figure 4).



图十三/ Figure 12

二片式锻钢球阀 2 PCS FORGED STEEL BALL VALVES

800LB/1500LB

应用规范

APPLICATION SPECIFICATIONS

- 1.设计制造标准:BS5351 MSS SP-118
Design and manufacture conform to BS5351 MSS SP-118
- 2.连接端尺寸Connection ends conform to:
1)承插口尺寸按:ANSIB16.11; JB/T1715
Socket welded ends conform to ANSIB16.11; JB/T1715
2)螺纹端尺寸按:ANSI B1.12.1; JB/T7306
Screw ends conform to ANSI B1.12.1; JB/T7306
3)对焊端尺寸按:ANSI B16.25; JB/T12224
Butt-welded ends conform to ANSI B16.25; JB/T12224
- 3.检验和试压按:API598;GB/T13927;JB/T9092
Test and inspection conform to AP598; GB/T13927; JB/T9092
- 4.材料标准根据:ANSI/ASTM
Materials conform to ANSI/ASTM

阀体温压等级

VALVE BODY PRESSURE RATING
Class 800,Max 1920 psig@100 °F
Class 1500,Max 3600 psig@100 °F

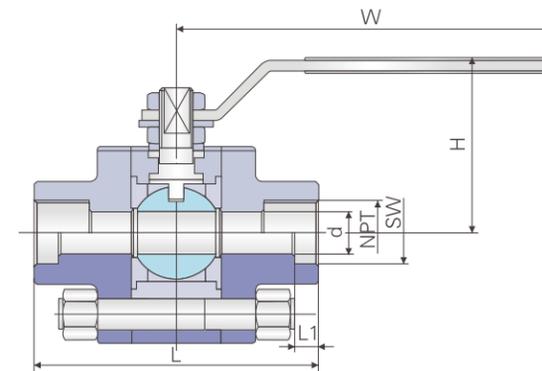
主要连接尺寸表

DIMENSION TABLE

缩径 RB	通径 FB	L	d	NPT		SW		L1		H	W	WEIGHT (kg)
				RB	FB	RB	FB	RB	FB			
3/8x1/4"	1/4"	68	9.5	3/8"	1/4"	17.6	14.2	9.6	9.6	53	130	1.1
1/2x3/8"	3/8"	68	9.5	1/2"	3/8"	21.8	17.6	9.6	9.6	53	130	1.1
3/4x1/2"	1/2"	73	13	3/4"	1/2"	27.1	21.8	12.7	9.6	56	130	1.3
1x3/4"	3/4"	97	18	1"	3/4"	33.8	27.1	12.7	12.7	70	160	1.9
1 1/4x1"	1"	105	24	1 1/4"	1"	42.6	33.8	12.7	12.7	80	220	3.3
1 1/2x1 1/4"	1 1/4"	118	30	1 1/2"	1 1/4"	48.7	42.6	12.7	12.7	90	250	4.1
2x1 1/2"	1 1/2"	133	38	2"	1 1/2"	61.2	48.7	15.9	12.7	100	250	5.6
2 1/2x2"	2"	148	48	2 1/2"	2"	74.1	61.2	15.9	15.9	110	290	12.2

三片式锻钢球阀 3 PCS FORGED STEEL BALL VALVES

800LB/1500LB



应用规范

APPLICATION SPECIFICATIONS

- 1.设计制造标准:BS5351 MSS SP-118
Design and manufacture conform to Bs5351 MSS SP-118
- 2.连接端尺寸Connection ends conform to:
1)承插口尺寸按:ANSIB16.11; JB/T1715
Socket welded ends conform to ANSIB16.11; JB/T1715
2)螺纹端尺寸按:ANSI B1.12.1; JB/T7306
Screw ends conform to ANSI B1.12.1; JB/T7306
3)对焊端尺寸按:ANSI B16.25; JB/T12224
Butt-welded ends conform to ANSI B16.25; JB/T12224
- 3.检验和试压按:API598;GB/T13927;JB/T9092
Test and inspection conform to AP598; GB/T13927; JB/T9092
- 4.材料标准根据:ANSI/ASTM
Materials conform to ANSI/ASTM

阀体温压等级

VALVE BODY PRESSURE RATING
Class 800,Max 1920 psig@100 °F
Class 1500,Max 3600 psig@100 °F

主要零件及材料

MAIN PARTS AND MATERIALS

NO	名称 Part name	碳钢 CARBON STEEL		不锈钢 STAINLESS STEEL	
		A105	F304	F316	F316L
1	阀体Body	A105	F304	F316	F316L
2	球Ball	SS304	SS304	SS316	SS316L
3	阀杆Stem	SS304	SS304	SS316	SS316L
4	密封圈Seat	PTFE, RTFE			
5	垫片Gasket	O-RING, PTFE, GRAPHITE			
6	填料Stuffing	PTFE, GRAPHITE			
7	止推垫片Fixcasket	PTFE			
8	定位片Locating piece	A283D, STAINLESS STEEL			
9	手柄Lever	A283D, Stainless steel			
10	薄螺形母Stem nut	Stainless steel A276-T304			
11	定位销Stop pin	Stainless steel A276-T304			
12	螺母NUT	A194-2H		A194-8	
13	螺栓STUD BOLT	A193-B7		A193-B8	

主要连接尺寸表

DIMENSION TABLE

缩径 RB	通径 FB	L	d	NPT		SW		L1		H	W	WEIGHT (kg)
				RB	FB	RB	FB	RB	FB			
3/8x1/4"	1/4"	92	9.5	3/8"	1/4"	17.6	14.2	9.6	9.6	53	130	1.5
1/2x3/8"	3/8"	92	9.5	1/2"	3/8"	21.8	17.6	9.6	9.6	53	130	1.5
3/4x1/2"	1/2"	92	13	3/4"	1/2"	27.1	21.8	12.7	9.6	56	130	1.5
1x3/4"	3/4"	111	18	1"	3/4"	33.8	27.1	12.7	12.7	70	160	2.4
1 1/4x1"	1"	127	24	1 1/4"	1"	42.6	33.8	12.7	12.7	80	220	3.9
1 1/2x1 1/4"	1 1/4"	140	30	1 1/2"	1 1/4"	48.7	42.6	12.7	12.7	90	250	6.1
2x1 1/2"	1 1/2"	152	38	2"	1 1/2"	61.2	48.7	15.9	12.7	100	250	8.5
2 1/2x2"	2"	178	48	2 1/2"	2"	74.1	61.2	15.9	15.9	110	290	10

三片式锻钢球阀 3 PCS FORGED STEEL BALL VALVES 2500LB

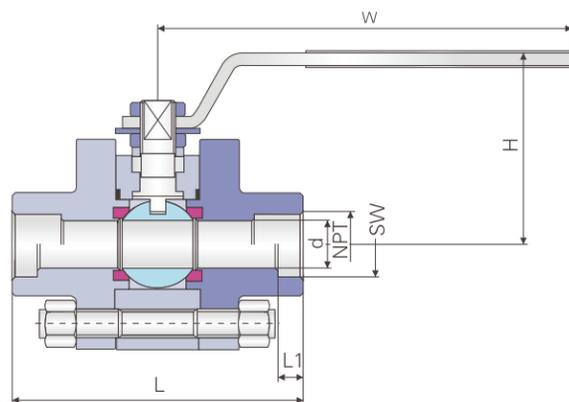
应用规范 APPLICATION SPECIFICATIONS

- 1.设计制造标准:BS5351 MSS SP-118
Design and manufacture conform to Bs5351 MSS SP-118
- 2.连接端尺寸Connection ends conform to:
 - 1)承插口尺寸按:ANSIB16.11 JB/T1715
Socket welded ends conform to ANSIB16.11 JB/T1715
 - 2)螺纹端尺寸按:ANSI B1.12.1 JB/T7306
Screw ends conform to ANSI B1.12.1 JB/T7306
 - 3)对焊端尺寸按:ANSI B16.25 JB/T12224
Butt-welded ends conform to ANSI B16.25 JB/T12224
- 3.检验和试压按:API598 GB/T13927 JB/T9092
Test and inspection conform to Ap598 GB/T13927 JB/T9092
- 4.材料标准根据:ANSI/ASTM
Materials conform to ANSI/ASTM

阀体温压等级
VALVE BODY PRESSURE RATING
Class 2500,Max 6000 psig@100 °F

主要连接尺寸表 DIMENSION TABLE

缩径 RB	通径 FB	L	d	NPT		SW		L1		H	W	WEIGHT (kg)
				RB	FB	RB	FB	RB	FB			
3/8x1/4"	1/4"	111	9.5	3/8"	1/4"	17.6	14.2	9.6	9.6	53	160	2.4
1/2x3/8"	3/8"	111	9.5	1/2"	3/8"	21.8	17.6	9.6	9.6	53	160	2.4
3/4x1/2"	1/2"	111	13	3/4"	1/2"	27.1	21.8	12.7	9.6	56	160	2.4
1x3/4"	3/4"	127	18	1"	3/4"	33.8	27.1	12.7	12.7	70	220	2.8
11/4x1"	1"	140	24	11/4"	1"	42.6	33.8	12.7	12.7	80	250	6
11/2x11/4"	11/4"	152	30	11/2"	11/4"	48.7	42.6	12.7	12.7	90	250	10.7
2x11/2"	11/2"	178	38	2"	11/2"	61.2	48.7	15.9	12.7	100	290	12.1
21/2x2"	2"	203	48	21/2"	2"	74.1	61.2	15.9	15.9	110	380	18.3



主要零件及材料 MAIN PARTS AND MATERIALS

NO	名称 Part name	碳钢 CARBON STEEL		不锈钢 STAINLESS STEEL	
		A105	F304	F316	F316L
1	阀体Body	A105	F304	F316	F316L
2	球Ball	SS304	SS304	SS316	SS316L
3	阀杆Stem	SS304	SS304	SS316	SS316L
4	密封圈Seat	PEEK			
5	垫片Gasket	O-RING,PTFE,GRAPHITE			
6	填料Stuffing	PTFE,GRAPHITE			
7	止推垫片Fixcasket	PTFE			
8	定位片Locating piece	A283D,STAINLESS STEEL			
9	手柄Lever	A283D,Stainless steel			
10	薄螺形母Stem nut	Stainless steel A276-T304			
11	定位销Stop pin	Stainless steel A276-T304			
12	螺母NUT	A194-2H		A194-8	
13	螺栓STUD BOLT	A193-B7		A193-B8	

加长100MM接管三片式锻钢球阀 WITH 100MM PIPE ENDS 3 PCS FORGED STEEL BALL VALVES 800LB-1500LB

应用规范 APPLICATION SPECIFICATIONS

- 1.设计制造标准:BS5351 MSS SP-118
Design and manufacture conform to Bs5351 MSS SP-118
- 2.连接端尺寸Connection ends conform to:
 - 1)承插口尺寸按:ANSIB16.11 JB/T1715
Socket welded ends conform to ANSIB16.11 JB/T1715
 - 2)螺纹端尺寸按:ANSI B1.12.1 JB/T7306
Screw ends conform to ANSI B1.12.1 JB/T7306
 - 3)对焊端尺寸按:ANSI B16.25 JB/T12224
Butt-welded ends conform to ANSI B16.25 JB/T12224
- 3.检验和试压按:API598 GB/T13927 JB/T9092
Test and inspection conform to Ap598 GB/T13927 JB/T9092
- 4.材料标准根据:ANSI/ASTM
Materials conform to ANSI/ASTM

阀体温压等级
VALVE BODY PRESSURE RATING
Class 800,Max 1920 psig@100 °F
Class 1500,Max 3600 psig@100 °F

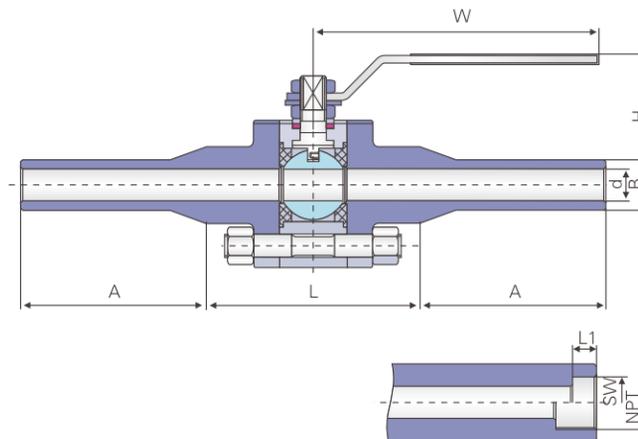
主要零件及材料 MAIN PARTS AND MATERIALS

NO	名称 Part name	碳钢 CARBON STEEL		不锈钢 STAINLESS STEEL	
		A105	F304	F316	F316L
1	阀体Body	A105	F304	F316	F316L
2	球Ball	SS304	SS304	SS316	SS316L
3	阀杆Stem	SS304	SS304	SS316	SS316L
4	密封圈Seat	PTFE,RTFE,NYLON			
5	垫片Gasket	O-RING,PTFE,GRAPHITE			
6	填料Stuffing	PTFE,GRAPHITE			
7	止推垫片Fixcasket	PTFE			
8	定位片Locating piece	A283D,STAINLESS STEEL			
9	手柄Lever	A283D,Stainless steel			
10	薄螺形母Stem nut	Stainless steel A276-T304			
11	定位销Stop pin	Stainless steel A276-T304			
12	螺母NUT	A194-2H		A194-8	
13	螺栓STUD BOLT	A193-B7		A193-B8	

主要连接尺寸表 DIMENSION TABLE

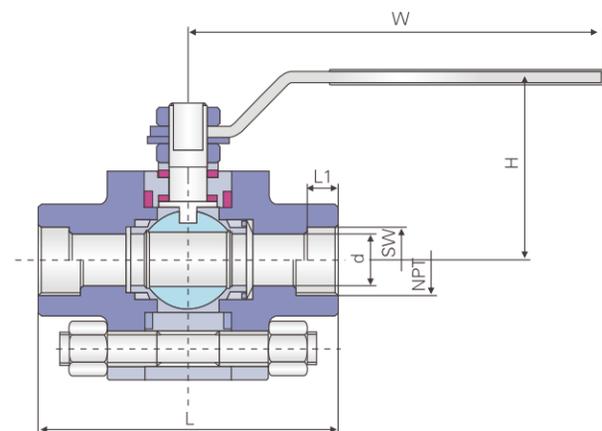
缩径 RB	通径 FB	L	d	B		NPT		SW		L1		H	W	WEIGHT (kg)
				RB	FB	RB	FB	RB	FB	RB	FB			
3/8x1/4"	1/4"	92	9.5	17.2	13.8	3/8"	1/4"	17.6	14.2	9.6	9.6	53	130	3.5
1/2x3/8"	3/8"	92	9.5	21.3	17.2	1/2"	3/8"	21.8	17.6	9.6	9.6	53	130	3.5
3/4x1/2"	1/2"	92	13	26.9	21.3	3/4"	1/2"	27.1	21.8	12.7	9.6	56	130	3.5
1x3/4"	3/4"	111	18	33.7	26.9	1"	3/4"	33.8	27.1	12.7	12.7	70	160	4.8
11/4x1"	1"	127	24	42.4	33.7	11/4"	1"	42.6	33.8	12.7	12.7	80	220	7.5
11/2x11/4"	11/4"	140	30	48.3	42.4	11/2"	11/4"	48.7	42.6	12.7	12.7	90	250	13.5
2x11/2"	11/2"	152	38	60.3	48.3	2"	11/2"	61.2	48.7	15.9	12.7	100	250	15.8
21/2x2"	2"	178	48	76.1	60.3	21/2"	2"	74.1	61.2	15.9	15.9	110	290	19.2

(PE) A=50~100mm



三片式金属硬密封球阀 3 PCS METAL TO METAL BALL VALVES

150LB-1500LB



应用规范 APPLICATION SPECIFICATIONS

- 1.设计制造标准:BS5351 MSS SP-118
Design and manufacture conform to BS5351 MSS SP-118
- 2.连接端尺寸Connection ends conform to:
1)承插口尺寸按:ANSIB16.11 JB/T1715
Socket welded ends conform to ANSIB16.11 JB/T1715
2)螺纹端尺寸按:ANSI B1.12.1 JB/T7306
Screw ends conform to ANSI B1.12.1 JB/T7306
3)对焊端尺寸按:ANSI B16.25 JB/T12224
Butt-welded ends conform to ANSI B16.25 JB/T12224
- 3.检验和试压按:API598 GB/T13927 JB/T9092
Test and inspection conform to AP598 GB/T13927 JB/T9092
- 4.材料标准根据:ANSI/ASTM
Materials conform to ANSI/ASTM

主要零件及材料 MAIN PARTS AND MATERIALS

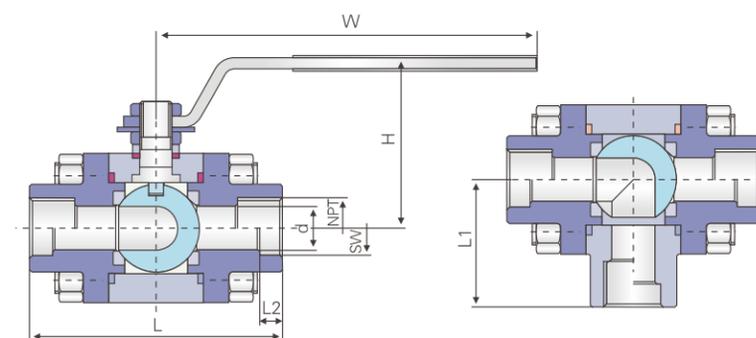
NO	名称 Part name	碳钢 CARBON STEEL		不锈钢 STAINLESS STEEL	
1	阀体Body			F316	F316L
2	球Ball	SS304		SS316	SS316L
3	阀杆Stem	SS304		SS316	SS316L
4	密封圈Seat	SS304		SS316	SS316L
5	垫片Gasket	PPL, GRAPHITE			
6	填料Stuffing	PPL			
7	止推垫片Fixcasket	PPL			
8	定位片Locating piece	A283D, STAINLESS STEEL			
9	手柄Lever	A283D, Stainless steel			
10	薄螺形母Stem nut	Stainless steel A276-T304			
11	定位销Stop pin	Stainless steel A276-T304			
12	螺母NUT	A194-2H		A194-8	
13	螺栓STUD BOLT	A193-B7		A193-B8	

主要连接尺寸表DIMENSION TABLE

缩径 RB	通径 FB	L	d	NPT		SW		L1		H	W	WEIGHT (kg)
				RB	FB	RB	FB	RB	FB			
3/8x1/4"	1/4"	92	9.5	3/8"	1/4"	17.6	14.2	9.6	9.6	53	130	1.7
1/2x3/8"	3/8"	92	9.5	1/2"	3/8"	21.8	17.6	9.6	9.6	53	130	1.7
3/4x1/2"	1/2"	92	13	3/4"	1/2"	27.1	21.8	12.7	9.6	56	130	1.7
1x3/4"	3/4"	111	18	1"	3/4"	33.8	27.1	12.7	12.7	70	160	2.5
1 1/4x1"	1"	127	24	1 1/4"	1"	42.6	33.8	12.7	12.7	80	220	4.5
1 1/2x1 1/4"	1 1/4"	140	30	1 1/2"	1 1/4"	48.7	42.6	12.7	12.7	90	250	7
2x1 1/2"	1 1/2"	152	38	2"	1 1/2"	61.2	48.7	15.9	12.7	100	250	8.8
2 1/2x2"	2"	178	48	2 1/2"	2"	74.1	61.2	15.9	15.9	110	290	14.5

三通L型锻钢球阀 3-WAY FORGED STEEL BALL VALVES

150Lb-800Lb



应用规范 APPLICATION SPECIFICATIONS

- 1.设计制造标准:BS5351 ; MSS SP-118
Design and manufacture conform to BS5351 ; MSS SP-118
- 2.连接端尺寸Connection ends conform to:
1)承插口尺寸按:ANSIB16.11 ; JB/T1715
Socket welded ends conform to ANSIB16.11 ; JB/T1715

主要零件及材料 MAIN PARTS AND MATERIALS

NO	名称 Part name	碳钢 CARBON STEEL		不锈钢 STAINLESS STEEL	
1	阀体Body	A105	F304	F316	F316L
2	球Ball	SS304	SS304	SS316	SS316L
3	阀杆Stem	SS304	SS304	SS316	SS316L
4	密封圈Seat	PTFE, RTFE, NYLON			
5	垫片Gasket	O-RING, PTFE, GRAPHITE			
6	填料Stuffing	PTFE, GRAPHITE			
7	止推垫片Gasket	PTFE			
8	定位片Locating piece	A283D, STAINLESS STEEL			
9	手柄Lever	A283D, Stainless steel			
10	薄螺形母Stem nut	Stainless steel A276-T304			
11	定位销Stop pin	Stainless steel A276-T304			
12	螺母NUT	A194-2H		A194-8	
13	螺栓STUD BOLT	A193-B7		A193-B8	

- 2)螺纹端尺寸按:ANSI B1.12.1 ; JB/T7306
Screw ends conform to ANSI B1.12.1 ; JB/T7306
- 3)对焊端尺寸按:ANSI B16.25 ; JB/T12224
Butt-welded ends conform to ANSI B16.25 ; JB/T12224

- 3.检验和试压按:API598;GB/T13927;JB/T9092
Test and inspection conform to AP598 ; GB/T13927 ; JB/T9092
- 4.材料标准根据:ANSI/ASTM
Materials conform to ANSI/ASTM

主要连接尺寸表 DIMENSION TABLE

通径 FB	L	L1	d	NPT	SW	L2	H	W	WEIGHT (kg)
1/4"	130	65	9.5	1/4"	14.2	9.6	60	130	2.2
3/8"	130	65	9.5	3/8"	17.6	9.6	60	130	2.2
1/2"	130	65	13	1/2"	21.8	9.6	70	130	2.5
3/4"	130	65	18	3/4"	27.1	12.7	75	160	3.5
1	140	70	24	1"	33.8	12.7	85	220	5.9
1 1/4"	165	83	30	1 1/4"	42.6	12.7	95	250	9.2
1 1/2"	165	83	38	1 1/2"	48.7	12.7	110	250	12.5
2"	203	102	48	2"	61.2	15.9	120	290	15.2

对夹式锻钢球阀 FORGED STEEL WAFER TYPE BOLL VALVE

150LB-600LB

产品特点 / Features

对夹连接球阀具有结构紧凑、体积小、重量轻、密封性能好、启闭灵活、安装方便等特点。主要适用于石油、化工、冶金、制药、食品等各类系统中。

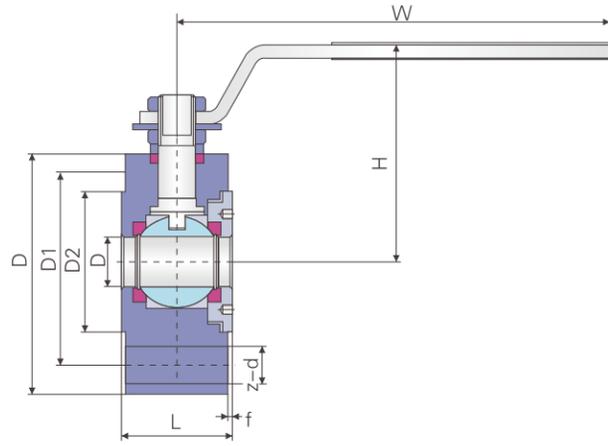
而保温对夹连接球阀良好的保温保冷特性既能有效防止管路中粘稠介质凝固，又能降低管路中介质热量的损失。

本系列对夹球阀可装上相应的电动及气动装置，以实现遥控或自动控制。

Wafer type Ball Valve possess such features as compact structure, smaller volume, lighter ponderance, fine sealing performance, flerible on-off, convenient installation couse, etc. It is mainly applied to transport the full-bodied mediums which solidify under normal temerature in such fields as perroleum industry, chemical industry, metallurgical industry, pharmaceutical industry, food Industry, etc.

insulation Wafer Type Ball Valve enjoys favorable heat/cold preservation performances which not only effectively prevent the slabby medium in the pipelines from solidifying but also reduce the heat loss of the medium in the pipeline.

Wafer Type Ball Valve series could also be applied with the mounted corresponding motor or air operated plant to implement remote control or automatic control.



主要零件及材料 MAIN PARTS AND MATERIALS

NO	名称 Part name	碳钢 CARBON STEEL		不锈钢 STAINLESS STEEL	
		A105	F304	F316	F316L
1	阀体Body	A105	F304	F316	F316L
2	球Ball	SS304	SS304	SS316	SS316L
3	阀杆Stem	SS304	SS304	SS316	SS316L
4	密封圈Seat	PTFE, RTFE	PTFE, RTFE		
5	垫片Gasket	O-RING, PTFE, GRAPHITE			
6	填料Stuffing	PTFE, GRAPHITE			
7	止推垫片Gasket	PTFE			
8	定位片Locating piece	A283D, STAINLESS STEEL			
9	手柄Lever	A283D, Stainless steel			
10	薄螺形母Stem nut	Stainless steel A276-T304			
11	定位销Stop pin	Stainless steel A276-T304			

应用规范

APPLICATION SPECIFICATIONS

1. 设计制造标准: BS5351 ASME B16.34

Design and manufacture conform to BS5351 ASME B16.34

2. 结构长度按: ANSI B16.10

Face to face ANSI B16.10

3. 连接法兰按: ANSI B16.5

End flange to ANSI B16.5

4. 检验和试压按: API598;

Test and inspection conform to AP598

5. 材料标准根据: ANSI/ASTM

Materials conform to ANSI/ASTM

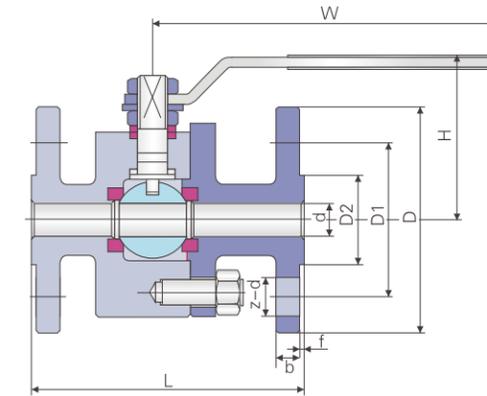
主要连接尺寸表

DIMENSION TABLE

压力级 CLASS	通径 SIZE	L	d	D	D1	D2	f	z-d	H	W
150LB	1/2"	35	13	89	60.5	35	2	4-16	56	130
	3/4"	38	18	98	70	43	2	4-16	70	130
	1"	43	24	108	79.5	51	2	4-16	80	160
	1 1/4"	51	30	117	89	64	2	4-16	90	160
	1 1/2"	64	38	127	98.5	73	2	4-16	100	220
	2"	80	49	152	120.5	92	2	4-19	110	250
	2 1/2"	104	64	178	139.5	105	2	4-19	158	290
	3"	118	74	190	152.5	127	2	4-19	172	290
4"	150	100	229	190.5	157	2	8-19	187	350	

二片式法兰连接浮动球阀 2 PCS FLANGE-FLOATING BALL VALVES

150LB-300LB



主要零件及材料 MAIN PARTS AND MATERIALS

NO	名称 Part name	碳钢 CARBON STEEL		不锈钢 STAINLESS STEEL	
		A105	F304	F316	F316L
1	阀体Body	A105	F304	F316	F316L
2	球Ball	SS304	SS304	SS316	SS316L
3	阀杆Stem	SS304	SS304	SS316	SS316L
4	密封圈Seat	PTFE, RTFE			
5	垫片Gasket	O-RING, PTFE, GRAPHITE			
6	填料Stuffing	PTFE, GRAPHITE			
7	止推垫片Fixcasket	PTFE			
8	定位片Locating piece	A283D, STAINLESS STEEL			
9	手柄Lever	A283D, Stainless steel			
10	薄螺形母Stem nut	Stainless steel A276-T304			
11	定位销Stop pin	Stainless steel A276-T304			
12	螺母NUT	A194-2H		A194-8	
13	螺栓STUD BOLT	A193-B7		A193-B8	

主要连接尺寸表

DIMENSION TABLE

压力级 CLASS	通径 SIZE	L	d	D	D1	D2	b	f	z-d	H	W	WEIGHT (kg)
150LB	1/2"	108	13	90	60.5	35	8	2	4-16	56	130	2.8
	3/4"	117	18	100	70	43	8.9	2	4-16	70	160	4.3
	1"	127	24	110	79.5	51	9.6	2	4-16	80	220	5.7
	1 1/4"	140	30	115	89	64	11.2	2	4-16	90	250	6.7
	1 1/2"	165	38	125	98.5	73	12.7	2	4-16	100	250	9.8
	2"	178	49	150	120.5	92	14.3	2	4-19	110	290	14.7
300LB	1/2"	140	13	95	66.5	35	12.7	2	4-16	56	130	3.3
	3/4"	152	18	115	82.5	43	14.3	2	4-19	70	160	5.6
	1"	165	24	125	89	51	15.9	2	4-19	80	220	6.7
	1 1/4"	178	30	135	98.5	64	17.5	2	4-19	90	250	9.5
	1 1/2"	190	38	155	114.5	73	19.1	2	4-22	100	250	13.4
	2"	216	49	165	127	92	20.7	2	8-19	110	290	20

应用规范

APPLICATION SPECIFICATIONS

1. 设计制造标准: BS5351 ASME B16.34

Design and manufacture conform to BS5351 ASME B16.34

2. 结构长度按: ANSI B16.10

Face to face ANSI B16.10

3. 连接法兰按: ANSI B16.5

End flange to ANSI B16.5

4. 对焊端: ANSI B16.25

Bw end to ANSI B16.25

5. 检验和试压按: API598;

Test and inspection conform to AP598

6. 材料标准根据: ANSI/ASTM

Materials conform to ANSI/ASTM

阀体温压等级

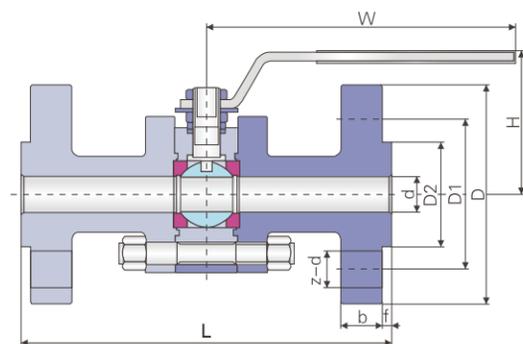
VALVE BODY PRESSURE RATING

ANSI Class 150, Max 275 psig@100 °F

ANSI Class 300, Max 720 psig@100 °F

三片式法兰连接浮动球阀 3 PCS FLANGE-FLOATING BALL VALVES

600LB-900LB



主要零件及材料
MAIN PARTS AND MATERIALS

NO	名称 Part name	碳钢 CARBON STEEL		不锈钢 STAINLESS STEEL	
		A105	F304	F316	F316L
1	阀体Body	A105	F304	F316	F316L
2	球Ball	SS304	SS304	SS316	SS316L
3	阀杆Stem	SS304	SS304	SS316	SS316L
4	密封圈Seat	PTFE, RTFE, NYLON			
5	垫片Gasket	O-RING, PTFE, GRAPHITE			
6	填料Stuffing	PTFE, GRAPHITE			
7	止推垫片Fixcasket	PTFE			
8	定位片Locating piece	A283D, STAINLESS STEEL			
9	手柄Lever	A283D, Stainless steel			
10	薄螺形母Stem nut	Stainless steel A276-T304			
11	定位销Stop pin	Stainless steel A276-T304			
12	螺母NUT	A194-2H		A194-8	
13	螺栓STUD BOLT	A193-B7		A193-B8	

应用规范
APPLICATION SPECIFICATIONS

- 设计制造标准:BS5351 ASME B16.34
Design and manufacture conform to BS5351 ASME B16.34
- 结构长度按: ANSI B16.10
Face to face ANSI B16.10
- 连接法兰按: ANSI B16.5
End flange to ANSI B16.5
- 对焊端:ANSI B16.25
Bw end to ANSI B16.25
- 检验和试压按:API598;
Test and inspection conform to AP598
- 材料标准根据:ANSI/ASTM
Materials conform to ANSI/ASTM

阀体温压等级
VALVE BODY PRESSURE RATING

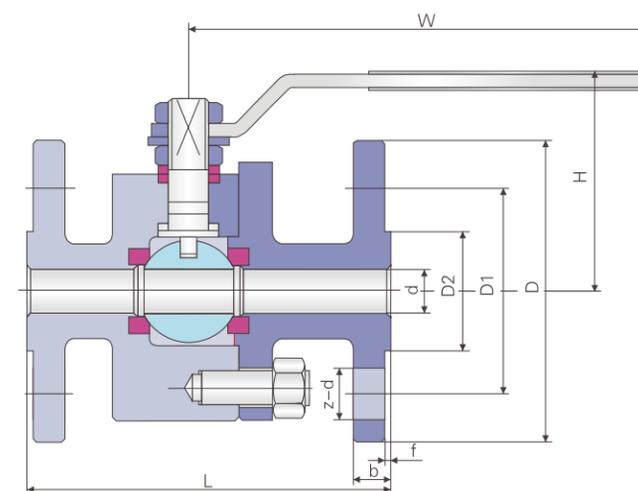
ANSI Class 600,Max 1440 psig@100 °F
ANSI Class 900,Max 2160 psig@100 °F

主要连接尺寸表
DIMENSION TABLE

压力级 CLASS	通径 SIZE	L	d	D	D1	D2	b	f	z-d	H	W	WEIGHT (kg)
600LB	1/2"	165	13	95	66.5	35	14.3	6.4	4-16	56	130	4.1
	3/4"	191	18	115	82.5	43	15.9	6.4	4-19	70	160	6.1
	1"	216	24	125	89	51	17.5	6.4	4-19	80	220	8
	1 1/4"	229	30	135	98.5	64	20.7	6.4	4-19	90	250	1.2
	1 1/2"	241	38	155	114.5	73	22.3	6.4	4-22	100	250	17.6
900LB	2"	292	48	165	127	92	25.4	6.4	8-19	110	290	25
	1/2"	216	13	120	82.6	35	22.3	6.4	4-22	56	130	8.4
	3/4"	229	18	130	88.9	43	25.4	6.4	4-25	70	160	10.6
	1"	254	24	150	101.6	51	28.6	6.4	4-25	80	220	14.2
	1 1/4"	280	30	160	110.1	64	28.6	6.4	4-25	90	250	18
	1 1/2"	305	38	180	123.8	73	31.8	6.4	4-28	100	250	27
2"	368	48	215	165.1	92	38.1	6.4	8-25	110	290	40	

德标法兰连接浮动球阀 DIN FLANGE-FLOATING BALL VALVES

PN1.6-4.0



主要零件及材料
MAIN PARTS AND MATERIALS

NO	名称 Part name	碳钢 CARBON STEEL		不锈钢 STAINLESS STEEL	
		A105	F304	F316	F316L
1	阀体Body	A105	F304	F316	F316L
2	球Ball	SS304	SS304	SS316	SS316L
3	阀杆Stem	SS304	SS304	SS316	SS316L
4	密封圈Seat	PTFE, RTFE			
5	垫片Gasket	O-RING, PTFE, GRAPHITE			
6	填料Stuffing	PTFE, GRAPHITE			
7	止推垫片Fixcasket	PTFE			
8	定位片Locating piece	A283D, STAINLESS STEEL			
9	手柄Lever	A283D, Stainless steel			
10	薄螺形母Stem nut	Stainless steel A276-T304			
11	定位销Stop pin	Stainless steel A276-T304			
12	螺母NUT	A194-2H		A194-8	
13	螺栓STUD BOLT	A193-B7		A193-B8	

主要连接尺寸表
DIMENSION TABLE

压力级 Mpa	通径 SIZE	L	d	D	D1	D2	b	f	z-d	H	W	WEIGHT (kg)
1.6-4.0	15	115	13	95	65	45	16	2	4-14	56	130	2.8
	20	120	18	105	75	58	18	2	4-14	70	160	4.3
	25	125	24	115	85	68	18	2	4-14	80	220	5.7
	32	130	30	140	100	78	18	2	4-18	90	250	6.7
	40	140	38	150	110	88	18	3	4-18	100	250	9.8
	50	150	49	165	125	102	20	3	4-18	110	290	14.7

应用规范
APPLICATION SPECIFICATIONS

- 设计制造标准:BS5351 ASME B16.34
Design and manufacture conform to Bs5351 ASME B16.34
- 结构长度按: DIN3202-F4
Face to face DIN3202-F4
- 连接法兰按: DIN2545
End flange to DIN2545
- 检验和试压按: ISO5208
Test and inspection conform to ISO5208
- 材料标准根据:ANSI/ASTM
Materials conform to ANSI/ASTM

双截止双排放针阀 Double-ended double-discharge valve

双堵塞双排放球阀通径 Double double blockage discharge valve diameter:
4"~24" 100~600mm

双堵塞双排放球阀压力 Double double blockage pressure discharge valve:
150LB~2500LB 1.6MPa~32MPa

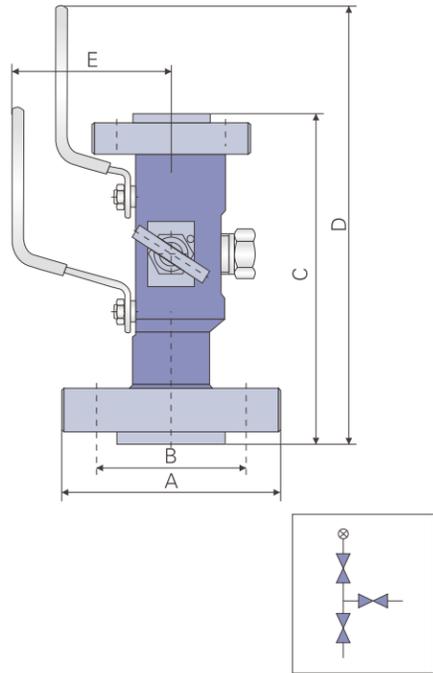
双堵塞双排放球阀技术标准 Double block valve dual emission technology standards:

设计标准 Design standards: API 6D

结构长度 Structure Length: ASME B16.10

连接法兰 Flange: ASME B16.5

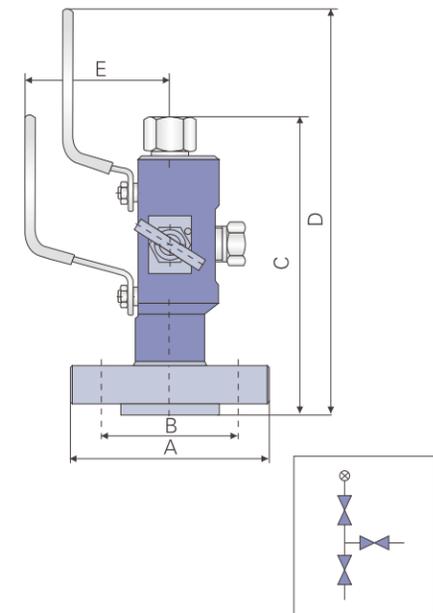
试验与检验 Test and inspection: AIP 598



货号 ITEM N O.	连接尺寸 Connections Size	A	B	C	D	E
JQS-14N4-300/600LB	1/2"RF*3/4"RF	95.3	66.7	182	245	88
JQS-14N6-300/600LB	3/4"RF*3/4"RF	117.5	82.6	182	245	88
JQS-14N8-300/600LB	1"RF*3/4"RF	123.8	88.9	182	245	88
JQS-14N10-300/600LB	1-1/2"RF*3/4"RF	155.6	114.3	182	245	88
JQS-14N12-300/600LB	2"RF*3/4"RF	165.1	127	182	245	88
JQS-14N16-300/600LB	3"RF*3/4"RF	209.6	168.3	182	245	88

JQS-14N4-900/1500LB	1/2"RTJ*3/4"RF	120.7	82.6	182	245	88
JQS-14N6-900/1500LB	3/4"RTJ*3/4"RF	130.2	88.9	182	245	88
JQS-14N8-900/1500LB	1"RTJ*3/4"RF	149.2	101.6	182	245	88
JQS-14N10-900/1500LB	1-1/2"RTJ*3/4"RF	177.8	123.8	182	245	88
JQS-14N12-900/1500LB	2"RTJ*3/4"RF	215.9	165.1	182	245	88

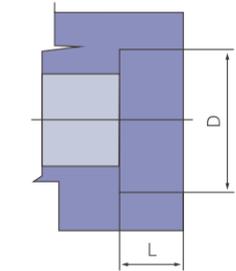
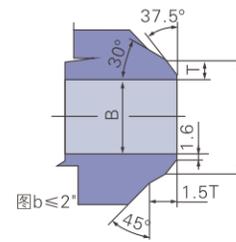
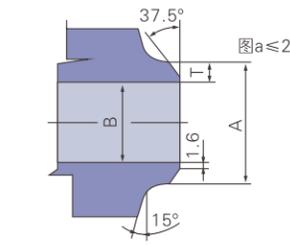
材料(Material): ASTM A105N/A108
ASTMA182F316/F316L/F304/F304L



货号 ITEM N O.	连接尺寸 Connections Size	A	B	C	D	E
JQS-12N4-300/600LB	1/2"RF*1/2"NPT	95.3	66.7	182	245	88
JQS-12N6-300/600LB	3/4"RF*1/2"NPT	117.5	82.6	182	245	88
JQS-12N8-300/600LB	1"RF*1/2"NPT	123.8	88.9	182	245	88
JQS-12N10-300/600LB	1-1/2"RF*1/2"NPT	155.6	114.3	182	245	88
JQS-12N12-300/600LB	2"RF*1/2"NPT	165.1	127	182	245	88
JQS-12N16-300/600LB	3"RF*1/2"NPT	209.6	168.3	182	245	88

JQS-12N4-900/1500LB	1/2"RTJ*1/2"NPT	120.7	82.6	182	245	88
JQS-12N6-900/1500LB	3/4"RTJ*1/2"NPT	130.2	88.9	182	245	88
JQS-12N8-900/1500LB	1"RTJ*1/2"NPT	149.2	101.6	182	245	88
JQS-12N10-900/1500LB	1-1/2"RTJ*1/2"NPT	177.8	123.8	182	245	88
JQS-12N12-900/1500LB	2"RTJ*1/2"NPT	215.9	165.1	182	245	88

材料(Material): ASTM A105N/A108
ASTMA182F316/F316L/F304/F304L



末端连接标准 Connection-end standards

对接焊标准

Butt-welded standard ASME B16.25

单位: mm

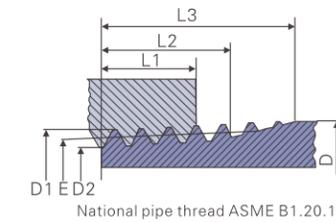
公称管径 Normal diameter	SCH.40			SCH.80			SCH.160			SCH.XXS		
	A	B	T	A	B	T	A	B	T	A	B	T
1/2	21.3	15.8	2.77	21.3	13.8	3.73	21.3	11.7	4.78	21.3	6.4	7.47
3/4	26.7	25.0	2.87	26.7	18.9	3.91	26.7	15.6	5.56	26.7	11.1	7.82
1	33.4	26.6	3.38	33.4	24.3	4.55	33.4	20.7	6.35	33.4	15.2	9.09
1 1/4	42.2	35.1	3.55	42.2	32.5	4.85	42.2	29.5	6.35	42.2	22.8	9.70
1 1/2	48.3	41.0	3.68	48.3	38.1	5.08	48.3	33.5	7.41	48.3	28.0	10.15
2	60.3	52.5	3.91	60.3	49.2	5.54	60.3	42.9	8.74	60.3	38.2	11.07
2 1/2	73.3	62.7	5.15	73.0	59.0	7.01	73.0	54.0	9.53	73.0	45.0	14.02
3	88.9	78.8	5.48	88.9	73.7	7.62	88.9	66.6	11.13	88.9	58.4	15.24
4	114.3	102.3	6.02	114.3	97.2	8.56	114.3	85.3	13.49	114.3	80.1	17.12

各国承插焊标准

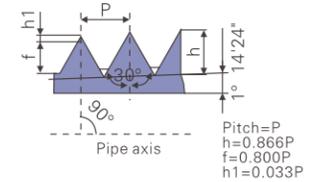
Foreign socket welded standard JB-ANSI-JIS

单位: mm

公称管径 Normal diameter	中国JB		美国ANSI		日本JIS	
	D	L	D	L	D	L
1/4	14.5	10.0	14.1	9.6	14.1	9.6
3/8	18.0	10.0	17.6	9.6	17.9	9.6
1/2	22.5	10.0	21.8	9.6	22.2	9.6
3/4	28.5	11.0	27.1	12.7	27.7	12.7
1	34.5	12.0	33.8	12.7	34.5	12.7
1 1/4	43.0	14	42.6	12.7	43.2	12.7
1 1/2	49.0	15	48.7	12.7	49.1	12.7
2	61.2	16	61.2	15.9	61.2	15.9



National pipe thread ASME B1.20.1



Pitch=P
h=0.866P
f=0.800P
h1=0.033P

螺纹标准

Thread standard ASME B1.20.1

公称管径 Normal diameter	管外径 O.D. OF Pipe	牙数/英寸 Threads sep in.	螺距 Pitch of thread	O.D. AT Beginning of thread	管端螺纹中径 Pitch dia. at beginning of ext. thread	Root dia. at beginning of ext. thread	内外螺纹啮合长度 Handtight engagement	外螺纹有效长度 Effective thread ext. length	牙型高度 Overall length ext. thread	
										D
1/8	inch mm	0.41 10.29	1.06 27	0.04 0.940	0.39 9.982	0.36 9.236	0.26 6.484	0.18 4.572	0.26 6.703	0.39 9.967
1/4	inch mm	0.54 13.72	0.71 18	0.06 1.412	0.52 13.259	0.48 12.126	0.43 10.998	0.20 5.080	0.40 10.206	0.59 15.103
3/8	inch mm	0.67 17.14	0.71 18	0.06 1.412	0.66 16.662	0.61 15.545	0.57 14.427	0.24 6.096	0.41 10.358	0.60 15.255
1/2	inch mm	0.84 21.34	0.55 14	0.07 1.814	0.82 20.726	0.76 19.263	0.70 17.805	0.32 8.128	0.53 13.556	0.78 19.850
3/4	inch mm	1.05 26.67	0.55 14	0.07 1.814	1.03 26.035	0.97 24.580	0.91 23.139	0.34 8.611	0.55 13.861	0.79 20.155
1	inch mm	1.31 33.40	0.452 11.1/2	0.09 2.210	1.28 32.588	1.21 30.825	1.15 29.058	0.40 10.160	0.68 17.343	0.98 25.006
1-1/4	inch mm	1.66 42.16	0.45 11.1/2	0.09 2.210	1.63 41.326	1.56 39.550	1.49 37.795	0.42 10.688	0.71 17.953	1.01 25.616
1-1/2	inch mm	1.90 48.26	0.45 11.1/2	0.09 2.210	1.87 47.396	1.80 45.621	1.73 43.866	0.42 10.668	0.72 18.377	1.03 26.040
2	inch mm	2.37 60.32	0.45 11.1/2	0.09 2.210	2.34 59.411	2.27 57.633	2.20 55.855	0.44 11.074	0.76 19.215	1.06 26.878